



溶接H形鋼 / Stainless Steel Build H-Beam

SUS304

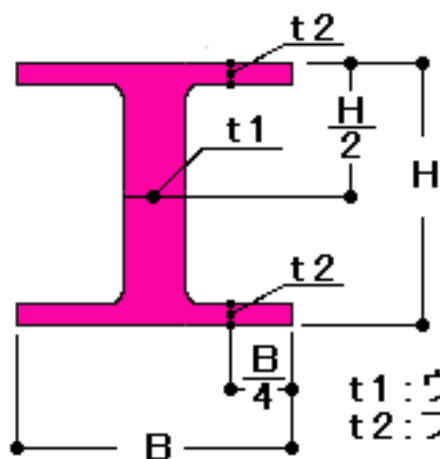
寸法 (H×B×t1×t2) Dimension	長さ / Length 6000mm
75 × 75 × 5 × 8	71.4
100 × 100 × 6 × 8	100.2
125 × 125 × 7 × 9	142.8
148 × 100 × 6 × 9	123.0
150 × 150 × 8 × 10	192.0
200 × 100 × 6 × 8	128.4
200 × 200 × 8 × 12	295.2
250 × 125 × 6 × 9	173.4
250 × 250 × 9 × 14	428.4
300 × 300 × 10 × 16	584.4

(mm)

(kg/本)

(mm)

(kg/pc.)



t1: ウェブ厚 / Web-Thickness
t2: フランジ厚 / Flange-Thickness